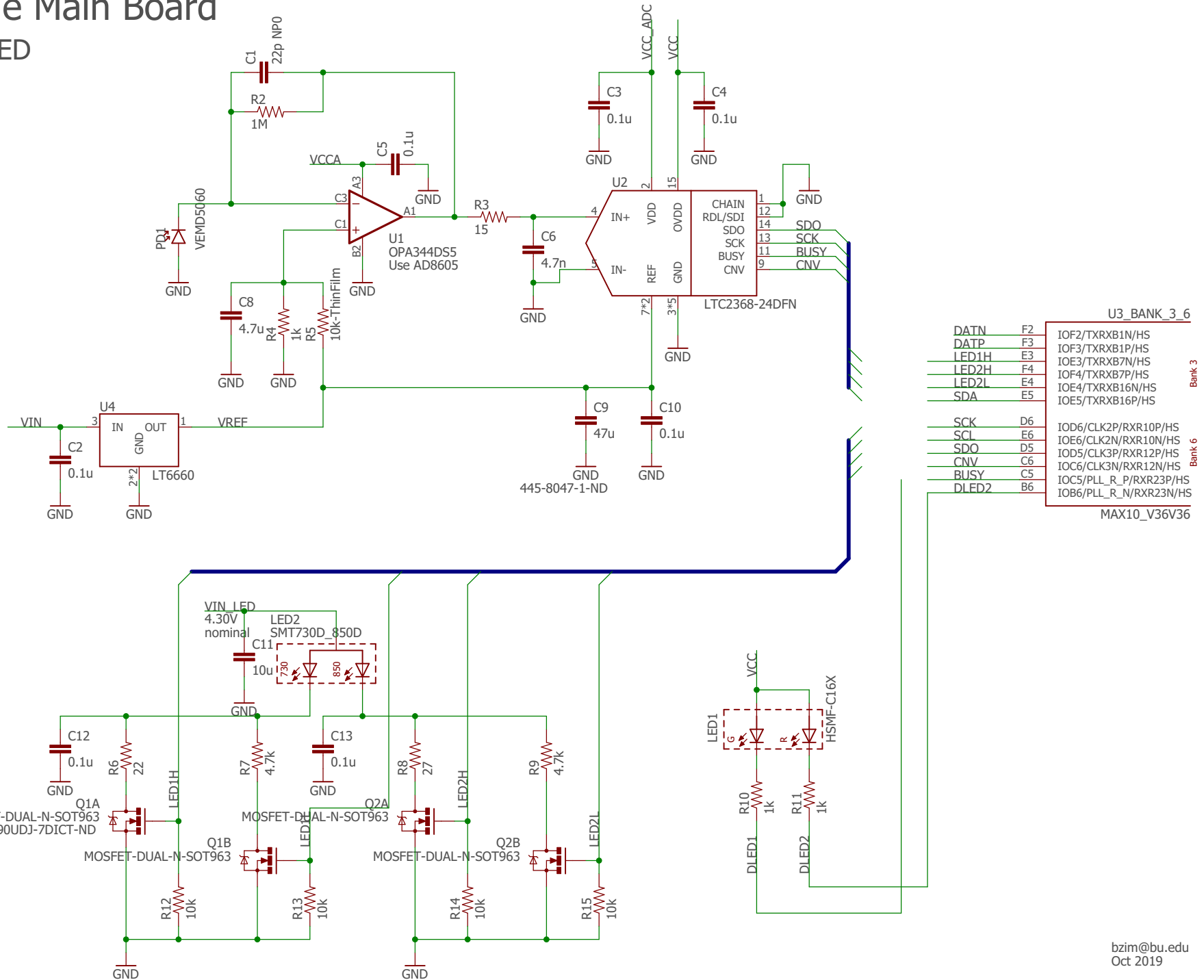


Optode Main Board

ADC / LED



U3_BANK_3_6	
DATN	F2
DATP	F3
LED1H	E3
LED2H	F4
LED2L	E4
SDA	E5
Bank 3	
SCK	D6
SCL	E6
SDO	D5
CNV	C6
BUSY	C5
DLED2	B6
Bank 6	
MAX10_V36V36	

Max power R6/R8
 ~ 160mW @ Vf = 1.7V If = 100mA R=16

Connector Board Interface Temperature Sensor

